



# SolarEdge Electricity Meter

for North America

SE-MTR240-2-200-S1 / SE-MTR240-2-400-S1

ACCESSORIES



## SolarEdge Electricity Meter

- Simple installation and connectivity
- Type NEMA 3R enclosure for outdoor protection
- Provides high accuracy meter readings
- Communicates over RS485 to provide monitoring data
- Suitable for export limitation, consumption monitoring and StorEdge™ applications

Authorized Agent:



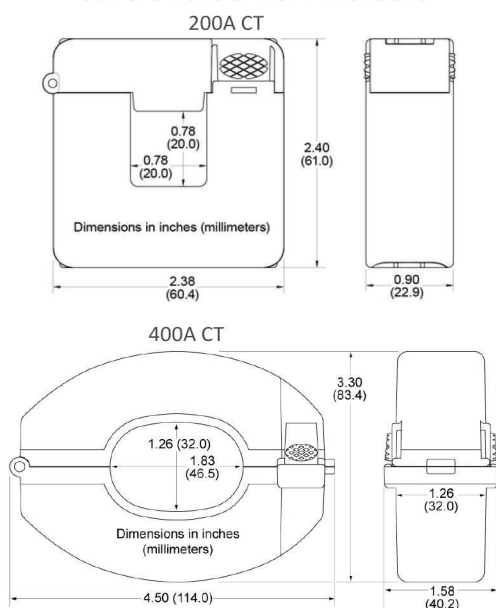
香港可再生能源有限公司  
Hong Kong Renewable Energy Co. Ltd.

	SE-MTR240-2-200-S1	SE-MTR240-2-400-S1	UNITS
<b>METER ELECTRICAL SERVICE</b>			
Meter Operating Voltage Range - Line to Line	211 - 264		Vac
AC Frequency	60		Hz
Grids Supported	L1 / L2 / N / PE		
Power Consumption (typ.)	1.2		W
<b>COMMUNICATION</b>			
Meter Communication Interfaces	RS485		
Response Time	≤1 sec		
Device ID (Modbus)	2		
<b>METER ACCURACY (@77°F / 25°C, PF:0.7- 1)</b>			
1% - 100% of Rated CT Current	±1		%
<b>CURRENT TRANSFORMERS</b>			
Number of Supplied Current Transformers	2		
Rated RMS current*	200 A	400 A	
Dimensions (Internal ; External)	0.8 x 0.8 ; 2.4 x 2.4 / 20 x 20 ; 61 x 61	1.26 x 1.83 ; 3.3 x 4.5 / 32 x 46.5 ; 83.4 x 114	in / mm
<b>STANDARD COMPLIANCE**</b>			
Safety	UL508A		
Emissions	FCC part15 class B		
<b>INSTALLATION SPECIFICATIONS</b>			
Dimensions (HxWxD)	8.1 x 12.4 x 4.6 / 206.6 x 316 x 117.5		in / mm
Weight	3.9 / 1.8		lb / kg
Operating Temperature Range	-22 to +131 / -30 to +55		°F / °C
Protection Rating	NEMA Type 3R		
Conduit Entry Diameters	0.75 / 1		in / mm
Mounting Type	Wall mount		

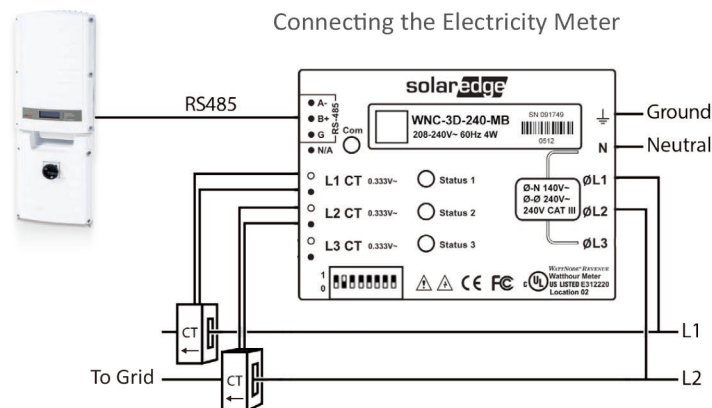
\* For other ratings contact SolarEdge

\*\* Pending

Current Transformer Dimensions



Connecting the Electricity Meter



### Authorized Agent:



香港可再生能源有限公司  
 Hong Kong Renewable Energy Co. Ltd.

地址：香港九龍旺角彌敦道610號荷李活商業中心18樓

電話：2960 0193

郵箱：cmli@live.hk

傳真：2960 0553

網址：<http://www.hkre.com/hk/>

